

Notes

1. Material is RedLINE 20 for a 25 mm (1") joint gap.
2. Contractor to verify dimensions and joint layout on site for accuracy.
3. Areas noted as identified on drawing MS-10 dated September 3, 2014.

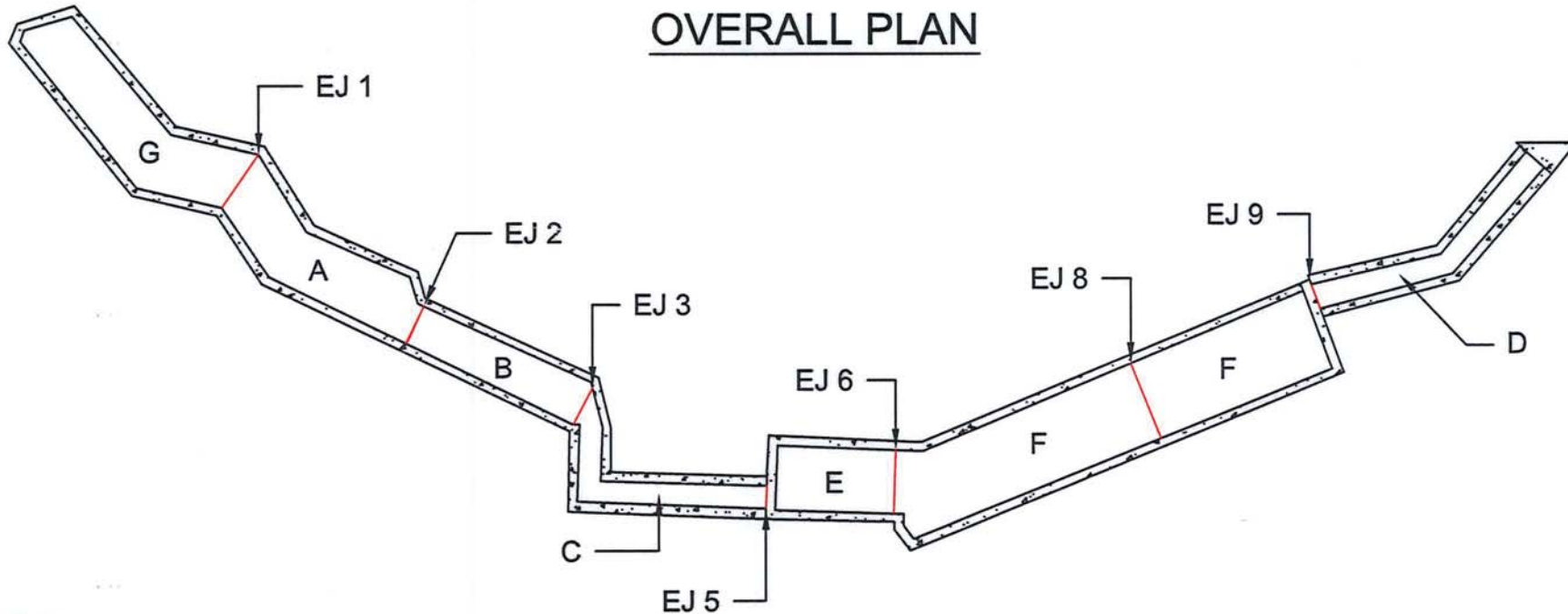
DISCLAIMER: PLEASE READ THIS

The information herein was obtained from 3rd party sources and as such is subject to on site verifications by the contractor or other parties.

Changes in the layout, context or technical description of the SITURA product(s) described will impact the constructability and pricing.

SITURA will ONLY supply the products(s) as described in the attached joint schematics - changes to these will incur additional charges.

OVERALL PLAN



PRELIMINARY ONLY



PROJECT NAME:
**Borrett Road
 Hong Kong, China**

APPROVALS AND SIGN OFFS

DESCRIPTION	DATE	SIGNED BY:
REVISION # 1	09/25/14	SL
REVISION # 2		
REVISION # 3		
REVISION # 4		
FABRICATION APPROVAL		

As a supplier of finished products only, SITURA INC., does not assume responsibility for errors in design, engineering or dimensions. The architect or owner's representative must verify all dimensions and suitability of details. RedLINE®, FlamLINE®, AquaLINE® are registered trade marks of SITURA INC. © Copyright SITURA 2014.

PROJECT NUMBER: **14-405** DETAIL NUMBER: **D-14-405-3**

SCALE: **NTS** CHECKED BY: **SL** DATE: **09/22/14** SHEET: **1 of 6**

Notes

1. Material is **RedLINE 20** for a **25 mm (1")** joint gap.
2. Contractor to verify dimensions and joint layout on site for accuracy.

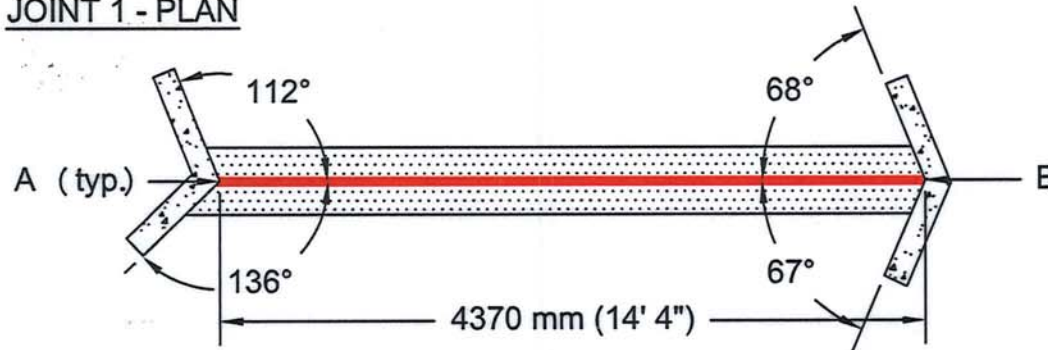
DISCLAIMER: PLEASE READ THIS

The information herein was obtained from 3rd party sources and as such is subject to on site verifications by the contractor or other parties.

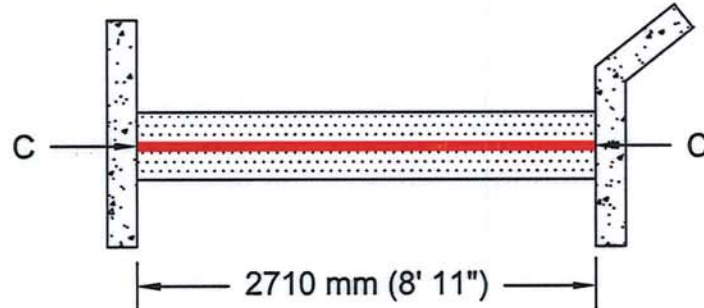
Changes in the layout, context or technical description of the SITURA product(s) described will impact the constructability and pricing.

SITURA will ONLY supply the product(s) as described in the attached joint schematics - changes to these will incur additional charges.

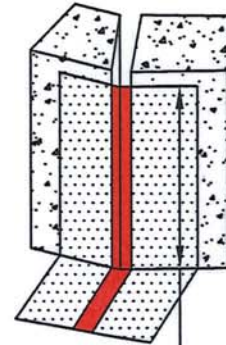
JOINT 1 - PLAN



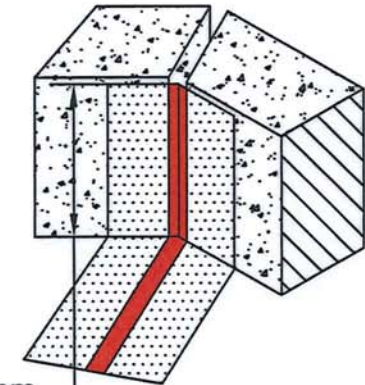
JOINT 2 - PLAN



CONDITION A

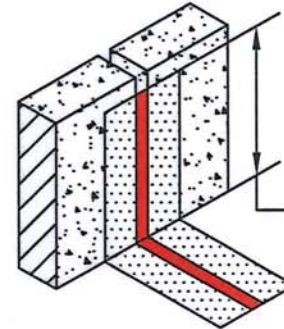


CONDITION B



1600 mm
5' 3"

CONDITION C



1600 mm
5' 3"

PRELIMINARY ONLY



PROJECT NAME:

Borrett Road
Hong Kong, China

APPROVALS AND SIGN OFFS

DESCRIPTION	DATE	SIGNED BY:
REVISION # 1		
REVISION # 2		
REVISION # 3		
REVISION # 4		
FABRICATION APPROVAL		

As a supplier of finished products only, SITURA INC., does not assume responsibility for errors in design, engineering or dimensions. The architect or owner's representative must verify all dimensions and suitability of details. RedLINE®, FlamLINE®, AquaLINE® are registered trade marks of SITURA INC. © Copyright SITURA 2014.

PROJECT NUMBER:

14-405

DETAIL NUMBER:

D-14-405-4

SCALE: NTS

CHECKED BY: SL

DATE: 09/22/14

SHEET: 2 of 6

Notes

1. Material is **RedLINE 20** for a **25 mm (1")** joint gap.
2. Contractor to verify dimensions and joint layout on site for accuracy.

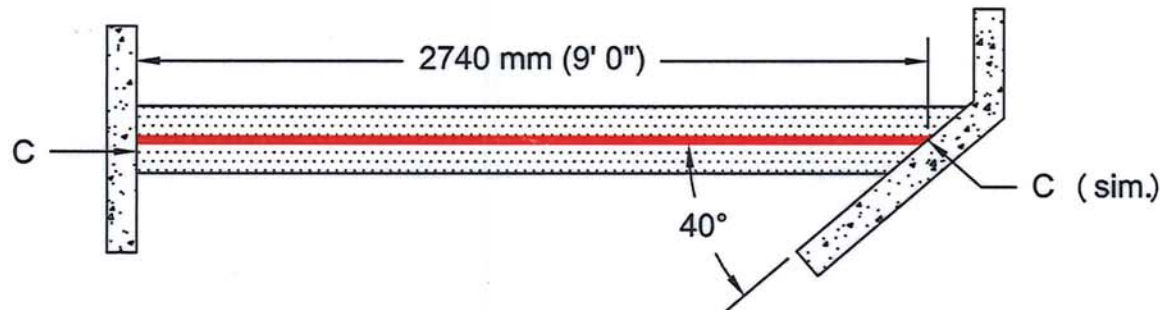
DISCLAIMER: PLEASE READ THIS

The information herein was obtained from 3rd party sources and as such is subject to on site verifications by the contractor or other parties.

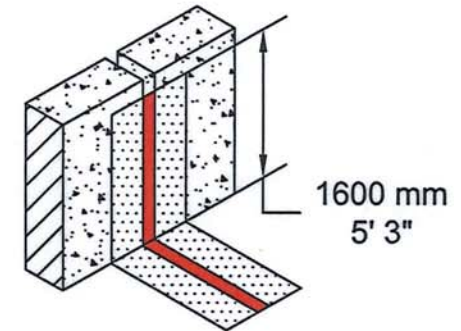
Changes in the layout, context or technical description of the SITURA product(s) described will impact the constructability and pricing.

SITURA will ONLY supply the products(s) as described in the attached joint schematics - changes to these will incur additional charges.

JOINT 3 - PLAN



CONDITION C



PRELIMINARY ONLY



PROJECT NAME:
**Borrett Road
 Hong Kong, China**

APPROVALS AND SIGN OFFS

DESCRIPTION	DATE	SIGNED BY:
REVISION # 1	09/25/14	SL
REVISION # 2		
REVISION # 3		
REVISION # 4		
FABRICATION APPROVAL		

As a supplier of finished products only, SITURA INC., does not assume responsibility for errors in design, engineering or dimensions. The architect or owner's representative must verify all dimensions and suitability of details. RedLINE®, FlamLINE®, AquaLINE® are registered trade marks of SITURA INC. © Copyright SITURA 2014.

PROJECT NUMBER: **14-405** DETAIL NUMBER: **D-14-405-5**

SCALE: **NTS** CHECKED BY: **SL** DATE: **09/22/14** SHEET: **3 of 6**

Notes

1. Material is RedLINE 20 for a 25 mm (1") joint gap.
2. Contractor to verify dimensions and joint layout on site for accuracy.

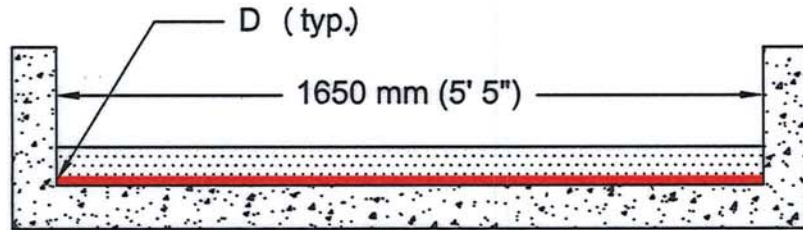
DISCLAIMER: PLEASE READ THIS

The information herein was obtained from 3rd party sources and as such is subject to on site verifications by the contractor or other parties.

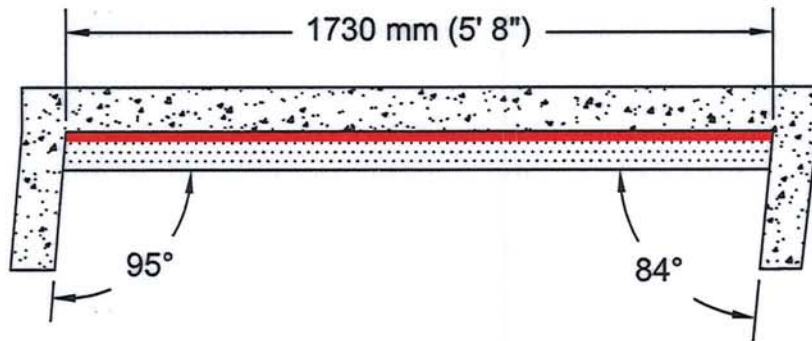
Changes in the layout, context or technical description of the SITURA product(s) described will impact the constructability and pricing.

SITURA will ONLY supply the products(s) as described in the attached joint schematics - changes to these will incur additional charges.

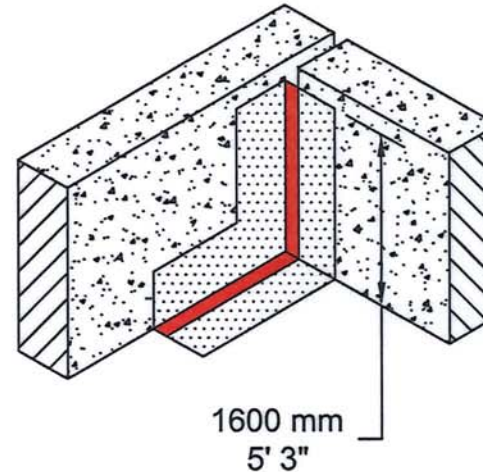
JOINT 5 - PLAN



JOINT 9 - PLAN



CONDITION D



PRELIMINARY ONLY



PROJECT NAME:
**Borrett Road
 Hong Kong, China**

APPROVALS AND SIGN OFFS

DESCRIPTION	DATE	SIGNED BY:
REVISION # 1		
REVISION # 2		
REVISION # 3		
REVISION # 4		
FABRICATION APPROVAL		

As a supplier of finished products only, SITURA INC., does not assume responsibility for errors in design, engineering or dimensions. The architect or owner's representative must verify all dimensions and suitability of details. RedLINE®, FlamLINE®, AquaLINE® are registered trade marks of SITURA INC. © Copyright SITURA 2014.

PROJECT NUMBER:	14-405	DETAIL NUMBER:	D-14-405-6
SCALE:	NTS	CHECKED BY:	SL
DATE:	09/22/14	SHEET:	4 of 6

Notes

1. Material is RedLINE 20 for a 25 mm (1") joint gap.
2. Contractor to verify dimensions and joint layout on site for accuracy.

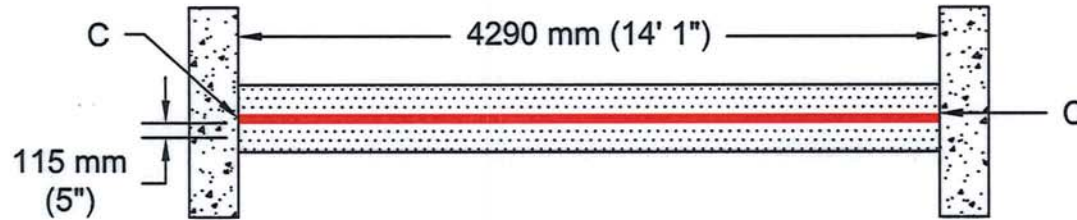
DISCLAIMER: PLEASE READ THIS

The information herein was obtained from 3rd party sources and as such is subject to on site verifications by the contractor or other parties.

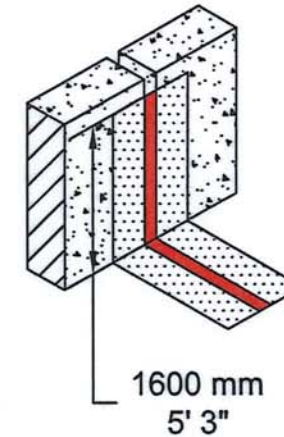
Changes in the layout, context or technical description of the SITURA product(s) described will impact the constructability and pricing.

SITURA will ONLY supply the products(s) as described in the attached joint schematics - changes to these will incur additional charges.

JOINT 6 - PLAN



CONDITION C



PRELIMINARY ONLY



PROJECT NAME:

Borrett Road
Hong Kong, China

APPROVALS AND SIGN OFFS

DESCRIPTION	DATE	SIGNED BY:
REVISION # 1	09/25/14	SL
REVISION # 2		
REVISION # 3		
REVISION # 4		
FABRICATION APPROVAL		

As a supplier of finished products only, SITURA INC., does not assume responsibility for errors in design, engineering or dimensions. The architect or owner's representative must verify all dimensions and suitability of details. RedLINE®, FlamLINE®, AquaLINE® are registered trademarks of SITURA INC. © Copyright SITURA 2014.

PROJECT NUMBER:

14-405

DETAIL NUMBER:

D-14-405-7

SCALE: NTS

CHECKED BY: SL

DATE: 09/22/14

SHEET: 5 of 6

Notes

1. Material is RedLINE 20 for a 25 mm (1") joint gap.
2. Contractor to verify dimensions and joint layout on site for accuracy.

PRELIMINARY ONLY

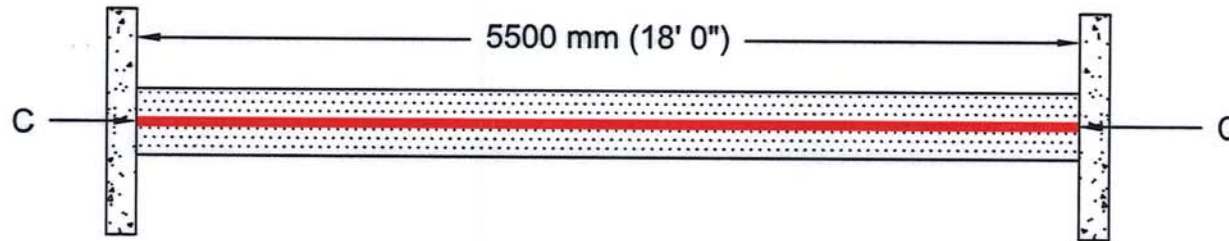
DISCLAIMER: PLEASE READ THIS

The information herein was obtained from 3rd party sources and as such is subject to on site verifications by the contractor or other parties.

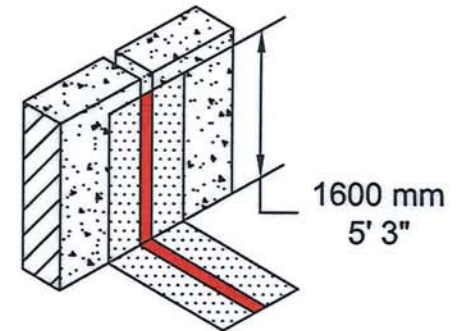
Changes in the layout, context or technical description of the SITURA product(s) described will impact the constructability and pricing.

SITURA will ONLY supply the products(s) as described in the attached joint schematics - changes to these will incur additional charges.

JOINT 8 - PLAN



CONDITION C



PROJECT NAME:

Borrett Road
Hong Kong, China

APPROVALS AND SIGN OFFS

DESCRIPTION	DATE	SIGNED BY:
REVISION # 1	09/25/14	SL
REVISION # 2		
REVISION # 3		
REVISION # 4		
FABRICATION APPROVAL		

As a supplier of finished products only, SITURA INC., does not assume responsibility for errors in design, engineering or dimensions. The architect or owner's representative must verify all dimensions and suitability of details. RedLINE®, FlamLINE®, AquaLINE® are registered trade marks of SITURA INC. © Copyright SITURA 2014.

PROJECT NUMBER:

14-405

DETAIL NUMBER:

D-14-405-8

SCALE: NTS

CHECKED BY: SL

DATE: 09/22/14

SHEET: 6 of 6